



SINCE 2002

NIKO®

PRECISION LINEAR GUIDEWAYS

PRECISION LINEAR GUIDEWAYS



CATALOGUE

PRECISION LINEAR GUIDEWAYS



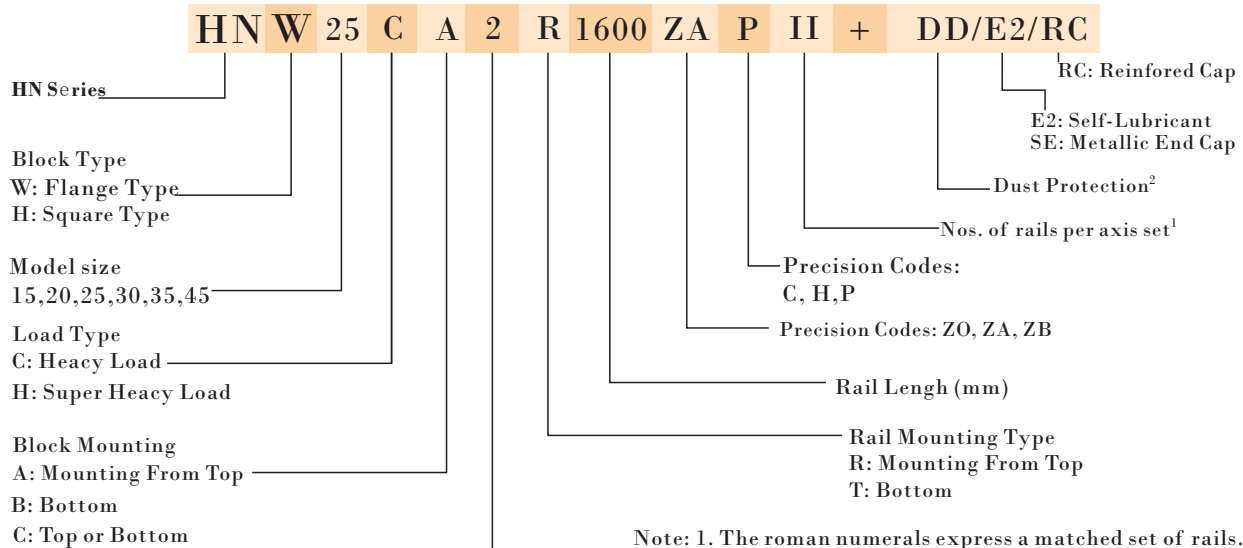
NIKO Precision Linear guideways

INDEX		PAGES FOR REFER
		02 ~ 14
1.HN	TECHNICAL INFORMATION	02 ~ 03
	HN SERIES HEAVY LOAD BALL TYPE LINEAR GUIDEWAYS	
1.HN	PRODUCT INFORMATION	04 ~ 05
	HN SERIES HEAVY LOAD BALL TYPE LINEAR GUIDEWAYS	
2.EN	TECHNICAL INFORMATION	06 ~ 07
	EN SERIES LOW PROFILE TYPE LINEAR GUIDEWAYS	
	PRODUCT INFORMATION	08 ~ 09
EN SERIES LOW PROFILE BALL TYPE LINEAR GUIDEWAYS		
3.MN	TECHNICAL INFORMATION	10 ~ 11
	MN SERIES MINATURE BALL TYPE LINEAR GUIDEWAYS	
	PRODUCT INFORMATION	12 ~ 13
MN SERIES MINATURE BALL TYPE LINEAR GUIDEWAYS		
	INTHERCHANGEABLE	14

The product specifications in this catalogue is subject to change without prior notice.

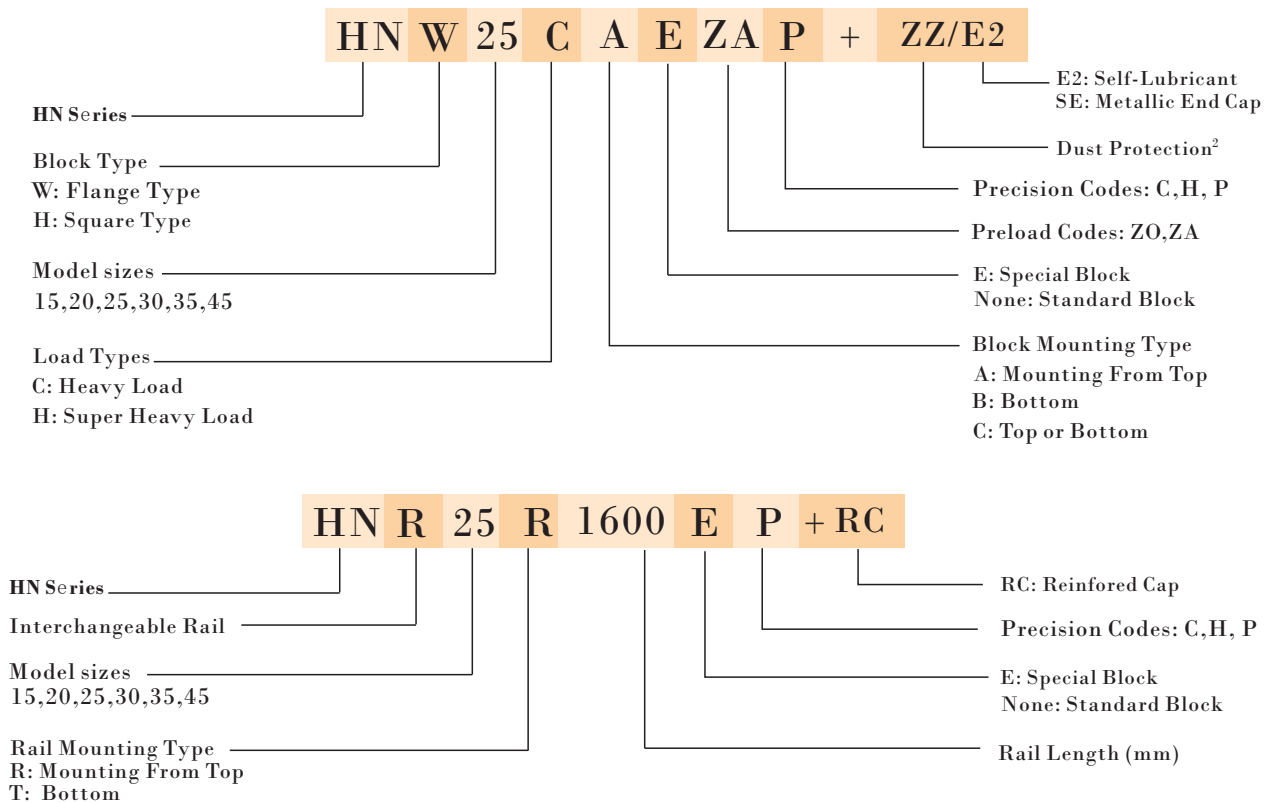
1. HN Series - Heavy Load Ball Type Linear guideways

(1) Non-Interchangeable type



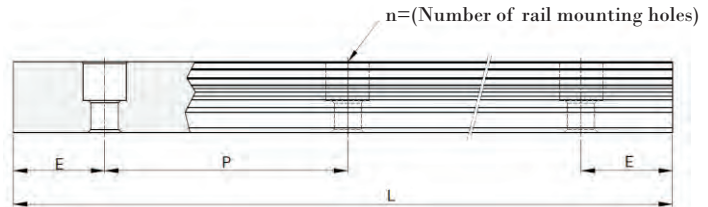
- Note: 1. The roman numerals express a matched set of rails.
 2. No symbol indicates standard protection (end seal and bottom seal).
 ZZ: End seal, bottom seal and scraper
 KK: Double seals, bottom seal and scraper.
 DD: Double seals and bottom seal
 3. Block type HNL is the low profile design of HNH (square type), the assembled height is same as HNW (flange type) in same size.

(2) Interchangeable type



(3) Standard and Maximum Lengths of Rail

NIKO offers standard rail lengths for customer needs. For non-standard E-values, the recommended dimension should no greater than 1/2 of the pitch (P) dimension. This will prevent an unstable rail end.



$$L = (n-1) \times P + 2 \times E$$

L : Total length of rail (mm)

n : Number of mounting holes

P : Distance between any two holes (mm)

E : Distance from the center of the last hole to the edge (mm)

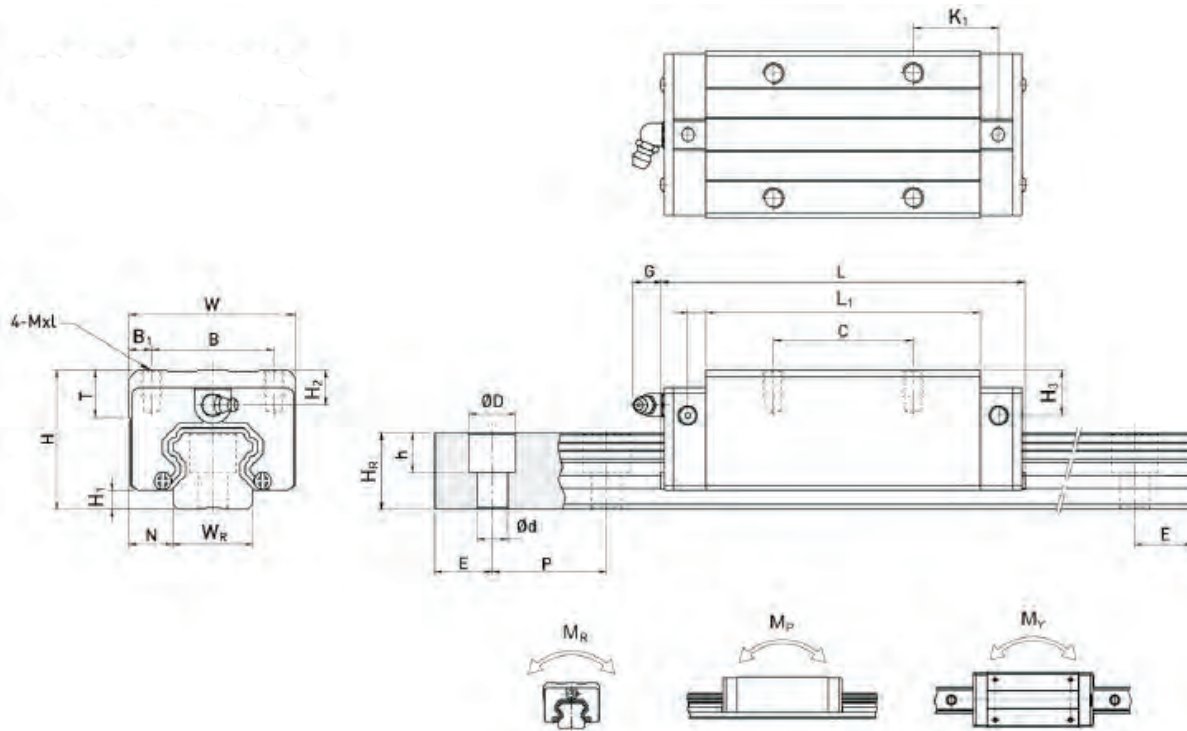
Items	HNR15	HNR20	HNR25	HNR30	HNR35	HNR45
Standard Length L(n)	160 (3)	220 (4)	220 (4)	280 (4)	280 (4)	570 (6)
	220 (4)	280 (5)	280 (5)	440 (6)	440 (6)	885 (9)
	280 (5)	340 (6)	340 (6)	600 (8)	600 (8)	1200 (12)
	340 (6)	460 (8)	460 (8)	760 (10)	760 (10)	1620 (16)
	460 (8)	640 (11)	640 (11)	1000 (13)	1000 (13)	2040 (20)
	640 (11)	820 (14)	820 (14)	1640 (21)	1640 (21)	2460 (24)
	820 (14)	1000 (17)	1000 (17)	2040 (26)	2040 (26)	2985 (29)
		1240 (21)	1240 (21)	2520 (32)	2520 (32)	
		1600 (27)	3000 (38)	3000 (38)		
Pitch (P)	60	60	60	80	80	105
Distance to End (Es)	20	20	20	20	20	22.5
Max. Standard Length	4000 (67)	4000 (67)	4000 (67)	3960 (50)	3960 (50)	3930 (38)
Max. Length	4000	4000	4000	4000	4000	4000

Note : 1. Tolerance of E value for standard rail is 0.5~-0.5 mm. Tolerance of E value for jointed rail is 0~-0.3 mm.

2. Maximum standard length means the max. rail length with standard E value on both sides.

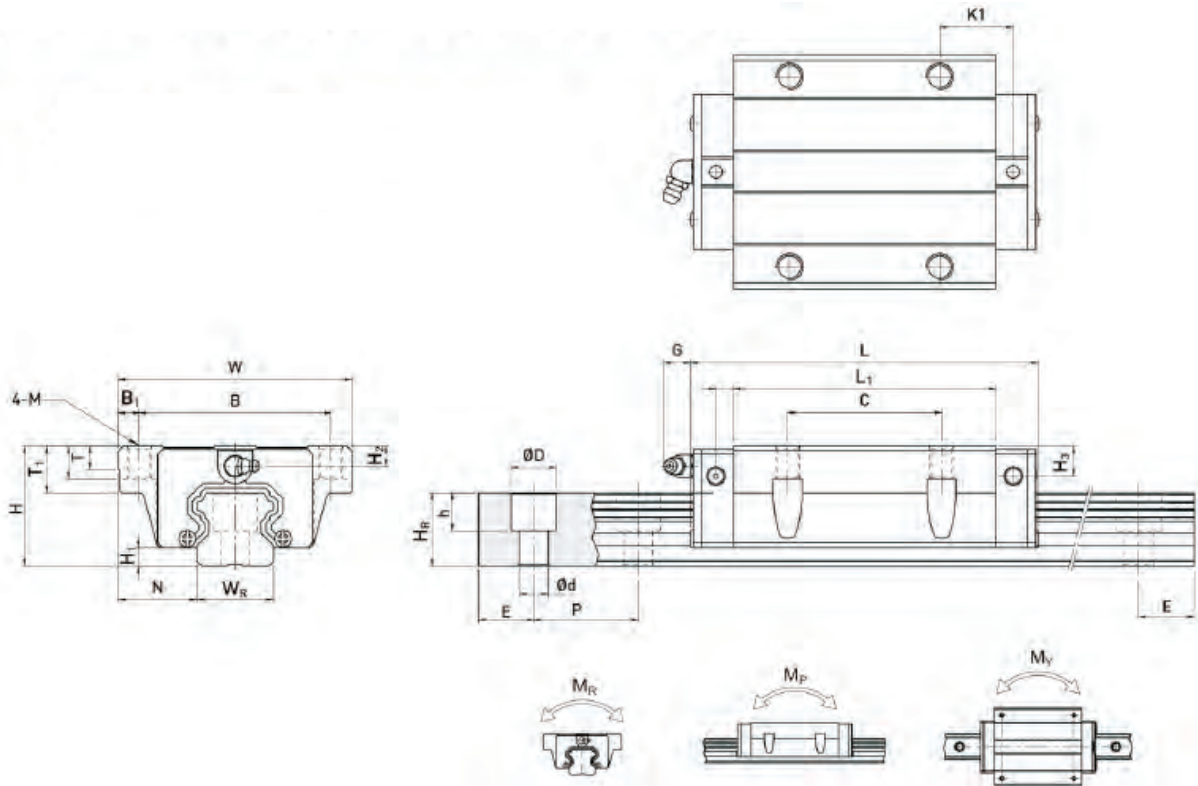
3. If different E value is needed, please contact **NIKO**.

SERIES HNH-CA / HNH-HA



Model No.	Dimensions of Assembly (mm)			Dimensions of Block (mm)										Dimensions of Rail (mm)							Mounting Bolt for Rail (mm)	Basic Dynamic Load Rating C(KN)	Basic Static Load Rating C0(KN)	Static Rated Moment(kgf.m)			Weight			
	H	H ₁	N	W	B	B ₁	C	L ₁	L	K ₁	G	MxL	T	H ₂	H ₃	WR	HR	D	h	d				P	E	M _R	M _P	M _Y	Block kg	Rail kg/m
HNH 15 CA	28	4.3	9.5	34	26	4	26	39.4	61.4	10	5.3	M4x5	6	7.95	7.7	15	15	7.5	5.3	4.5	60	20	M4x16	11.38	25.31	0.17	0.15	0.15	0.18	1.45
HNH 20 CA	30	4.4	12	44	32	6	36	50.5	77.5	12.25	12	M5x6	8	6	6	20	17.5	9.5	8.5	6	60	20	M5x16	17.75	37.84	0.38	0.27	0.27	0.30	2.21
HNH 20 HA	30	4.4	12	44	32	6	50	65.2	92.2	12.6	12	M5x6	8	6	6	20	17.5	9.5	8.5	6	60	20	M5x16	21.18	48.84	0.48	0.47	0.47	0.39	2.21
HNH 25 CA	40	5.4	12.5	48	35	6.5	35	58	84	15.7	12	M6x8	8	10	9	23	22	11	9	7	60	20	M6x20	26.48	56.19	0.64	0.51	0.51	0.51	3.21
HNH 25 HA	40	5.4	12.5	48	35	6.5	50	78.6	104.6	18.5	12	M6x8	8	10	9	23	22	11	9	7	60	20	M6x20	32.75	76.00	0.87	0.88	0.88	0.69	3.21
HNH 30 CA	45	5.5	16	60	40	10	40	70	97.4	20.25	12	M8x10	8.5	9.5	13.8	28	26	14	12	9	80	20	M8x25	38.74	83.06	1.06	0.85	0.85	0.88	4.47
HNH 30 HA	45	5.5	16	60	40	10	60	93	120.4	21.75	12	M8x10	8.5	9.5	13.8	28	26	14	12	9	80	20	M8x25	47.27	110.13	1.40	1.47	1.47	1.16	4.47
HNH 35 CA	55	7.5	18	70	50	10	50	80	112.4	20.6	12	M8x12	10.2	16	19.6	34	29	14	12	9	80	20	M8x25	49.52	102.87	1.73	1.20	1.20	1.45	6.30
HNH 35 HA	55	7.5	18	70	50	10	72	105.8	138.2	22.5	12	M8x12	10.2	16	19.6	34	29	14	12	9	80	20	M8x25	60.21	136.31	2.29	2.08	2.08	1.92	6.30
HNH 45 CA	70	9.5	20.5	86	60	13	60	97	139.4	23	12.9	M10x17	16	18.5	30.5	45	38	20	17	14	105	22.5	M12x35	77.57	155.93	3.01	2.35	2.35	2.73	10.41
HNH 45 HA	70	9.5	20.5	86	60	13	80	128.8	171.2	28.9	12.9	M10x17	16	18.5	30.5	45	38	20	17	14	105	22.5	M12x35	94.54	207.12	4.00	4.07	4.07	3.61	10.41

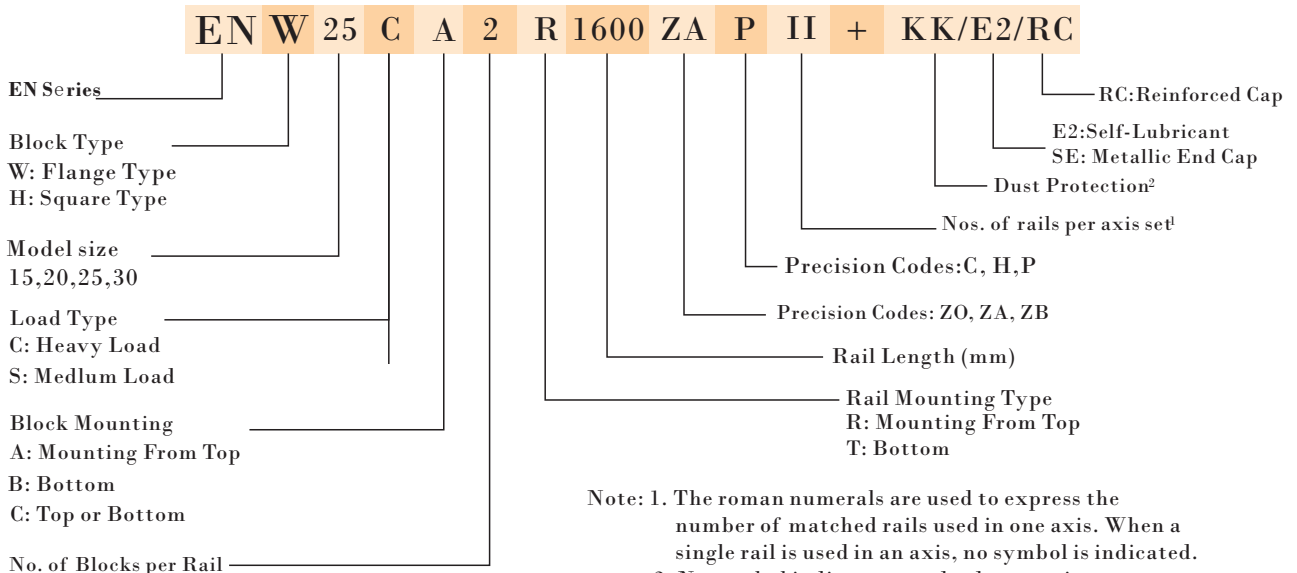
SERIES HNW-CC / HNW-HC



Model No.	Dimensions of Assembly (mm)			Dimensions of Block (mm)													Dimensions of Rail (mm)							Mounting Bolt for Rail (mm)	Basic Dynamic Load Rating C(KN)	Basic Static Load Rating C0(KN)	Static Rated Moment(kgf.m)			Weight	
	H	H1	N	W	B	B1	C	L1	L	K1	G	M	T	T1	H2	H3	WR	HR	D	h	d	P	E				MR	MP	MY	Block kg	Rail kg/m
HNW 15 CC	24	4.3	16	47	38	4.5	30	39.4	61.4	10	5.3	M5	6	8.9	3.95	3.7	15	15	7.5	5.3	4.5	60	20	M4x16	11.38	25.31	0.17	0.15	0.15	0.17	1.45
HNW 20 CC	30	4.4	21.5	63	53	5	40	50.5	77.5	12.25	12	M6	8	10	6	6	20	17.5	9.5	8.5	6	60	20	M5x16	17.75	37.84	0.38	0.27	0.27	0.40	2.21
HNW 20 HC	30	4.4	21.5	63	53	5	40	65.2	92.2	12.6	12	M6	8	10	6	6	20	17.5	9.5	8.5	6	60	20	M5x16	21.18	48.84	0.48	0.47	0.47	0.52	2.21
HNW 25 CC	36	5.4	23.5	70	57	6.5	45	58	84	15.7	12	M8	8	14	6	5	23	22	11	9	7	60	20	M6x20	26.48	56.19	0.64	0.51	0.51	0.59	3.21
HNW 25 HC	36	5.4	23.5	70	57	6.5	45	78.6	104.6	18.5	12	M8	8	14	6	5	23	22	11	9	7	60	20	M6x20	32.75	76.00	0.87	0.88	0.88	0.80	3.21
HNW 30 CC	42	5.5	31	90	72	9	52	70	97.4	20.25	12	M10	8.5	16	6.5	10.8	28	26	14	12	9	80	20	M8x25	38.74	83.06	1.06	0.85	0.85	1.09	4.47
HNW 30 HC	42	5.5	31	90	72	9	52	93	120.4	21.75	12	M10	8.5	16	6.5	10.8	28	26	14	12	9	80	20	M8x25	47.27	110.13	1.40	1.47	1.47	1.44	4.47
HNW 35 CC	48	7.5	33	100	82	9	62	80	112.4	20.6	12	M10	10.1	18	9	12.6	34	29	14	12	9	80	20	M8x25	49.52	102.87	1.73	1.20	1.20	1.56	6.30
HNW 35 HC	48	7.5	33	100	82	9	62	105.8	138.2	22.5	12	M10	10.1	18	9	12.6	34	29	14	12	9	80	20	M8x25	60.21	136.31	2.29	2.08	2.08	2.06	6.30
HNW 45 CC	60	9.5	37.5	120	100	10	80	97	139.4	23	12.9	M12	15.1	22	8.5	20.5	45	38	20	17	14	105	22.5	M12x35	77.57	155.93	3.01	2.35	2.35	2.79	10.41
HNW 45 HC	60	9.5	37.5	120	100	10	80	128.8	171.2	28.9	12.9	M12	15.1	22	8.5	20.5	45	38	20	17	14	105	22.5	M12x35	94.54	207.12	4.00	4.07	4.07	3.69	10.41

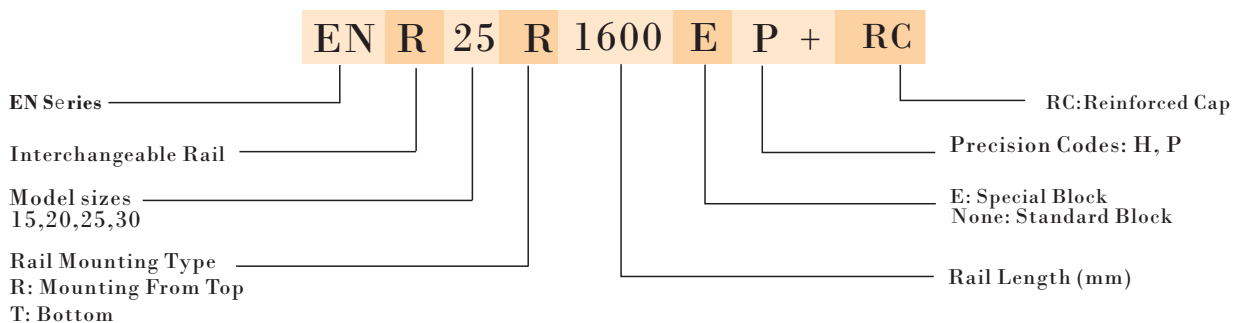
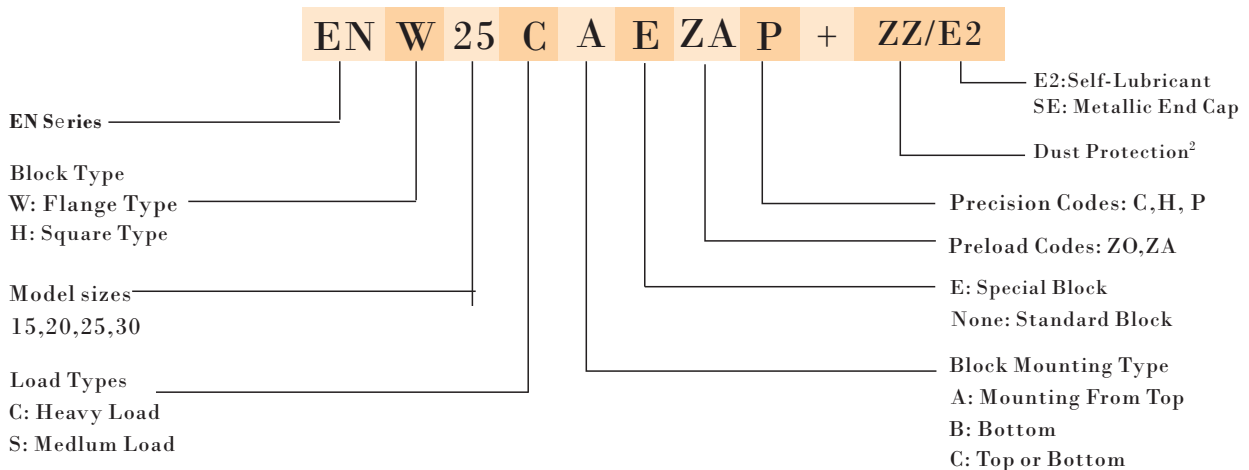
2. EN Series - Low Profile Ball Type Linear guideways

(1) Non-Interchangeable type



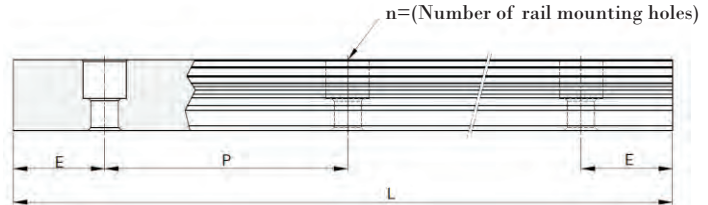
Note: 1. The roman numerals are used to express the number of matched rails used in one axis. When a single rail is used in an axis, no symbol is indicated.
2. No symbol indicates standard protection (end seal and bottom seal).
ZZ : End seal, bottom seal and scraper
KK: Double seals, bottom seal and scraper.
DD: Double seals and bottom seal

(2) Interchangeable type



(3) Standard and Maximum Lengths of Rail

NIKO offers a number of standard rail lengths. Standard rail lengths feature end mounting hole placements set to predetermined values (E). For non-standard rail lengths, be sure to specify the E-value to be no greater than 1/2 the pitch (P) dimension. An E-value greater than this will result in unstable rail ends.



$$L = (n-1) \times P + 2 \times E$$

L : Total length of rail (mm)

n : Number of mounting holes

P : Distance between any two holes (mm)

E : Distance from the center of the last hole to the edge (mm)

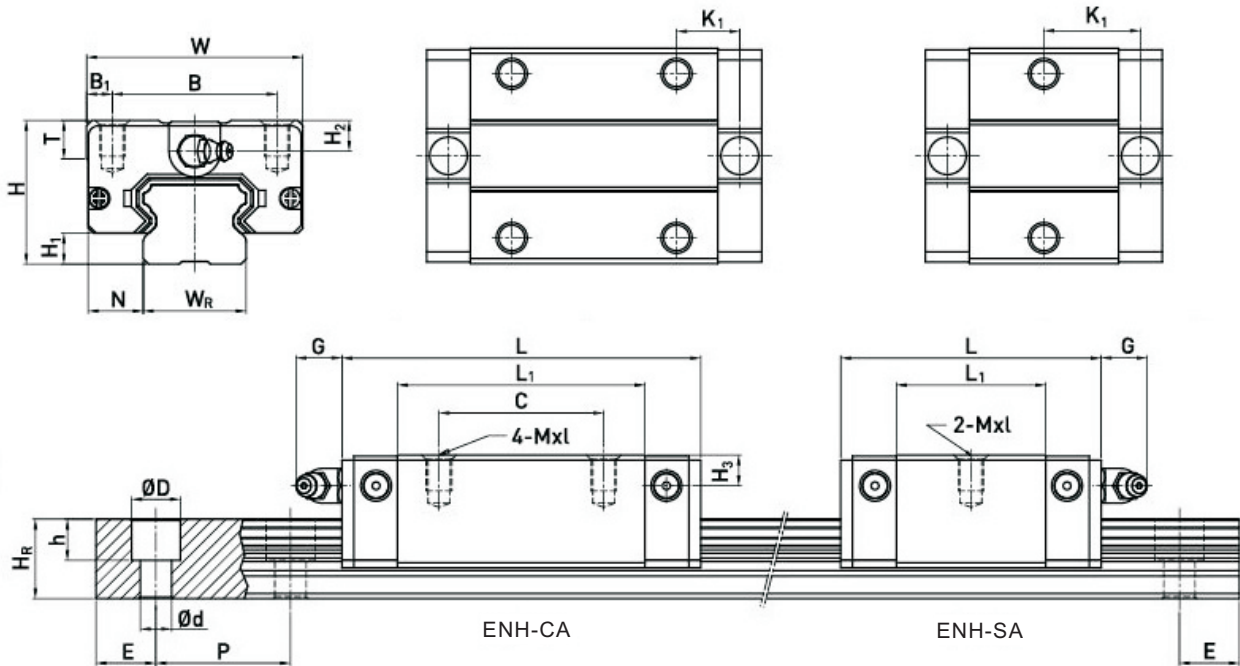
Items	ENR15	ENR20	ENR25	ENR30
Standard Length L(n)	160 (3)	220 (4)	220 (4)	280 (4)
	220 (4)	280 (5)	280 (5)	440 (6)
	280 (5)	340 (6)	340 (6)	600 (8)
	340 (6)	460 (8)	460 (8)	760 (10)
	460 (8)	640 (11)	640 (11)	1000 (13)
	640 (11)	820 (14)	820 (14)	1640 (21)
	820 (14)	1000 (17)	1000 (17)	2040 (26)
		1240 (21)	1240 (21)	2520 (32)
	1600 (27)	1600 (27)	3000 (38)	
Pitch (P)	60	60	60	80
Distance to End (Es)	20	20	20	20
Max. Standard Length	4000 (67)	4000 (67)	4000 (67)	3960 (50)
Max. Length	4000	4000	4000	4000

Note : 1. Tolerance of E value for standard rail is 0.5~-0.5 mm. Tolerance of E value for jointed rail is 0~-0.3 mm.

2. Maximum standard length means the max. rail length with standard E value on both sides.

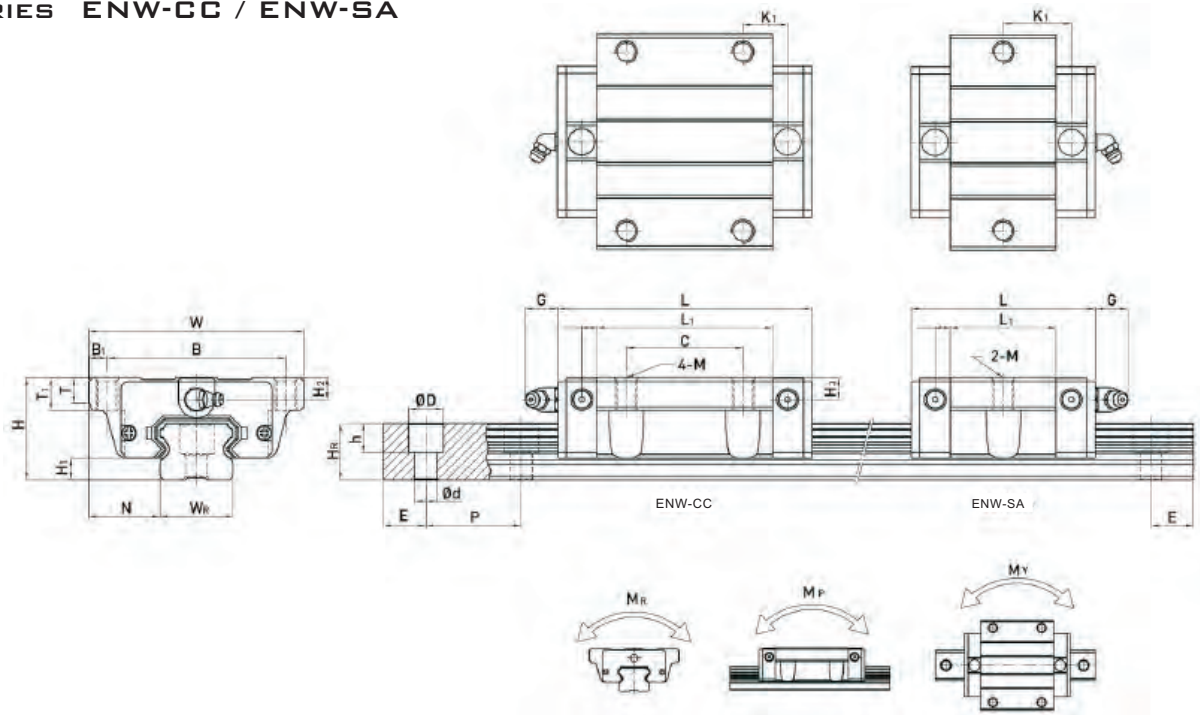
3. If different E value is needed, please contact **NIKO**.

SERIES ENH-CA / ENH-SA



Model No.	Dimensions of Assembly (mm)			Dimensions of Block (mm)											Dimensions of Rail (mm)										Mounting Bolt for Rail (mm)	Basic Dynamic Load Rating C(KN)	Basic Static Load Rating Co(KN)	Static Rated Moment(kgf.m)			Weight	
	H	H ₁	N	W	B	B ₁	C	L ₁	L	K ₁	G	MxL	T	H ₂	H ₃	W _R	H _R	D	h	d	P	E	M _R KN-m	M _P KN-m				M _V KN-m	Block kg	Rail kg/m		
ENH 15 SA	24	4.5	9.5	34	26	4	-	23.1	40.1	14.8	5.7	M4x6	6	5.5	6	15	12.5	7.5	5.3	4.5	60	20	M4x16	5.35	9.40	0.08	0.04	0.04	0.09	1.25		
ENH 15 CA	24	4.5	9.5	34	26	4	26	39.8	56.8	10.15	5.7	M4x6	6	5.5	6	15	12.5	7.5	5.3	4.5	60	20	M4x16	7.83	16.19	0.13	0.10	0.10	0.15	1.25		
ENH 20 SA	28	6	11	44	32	6	-	29	50	18.75	12	M5x7	7.5	6	6	20	15.5	9.5	8.5	6	60	20	M5x16	7.23	12.74	0.13	0.06	0.06	0.15	2.08		
ENH 20 CA	28	6	11	44	32	6	32	48.1	69.1	12.3	12	M5x7	7.5	6	6	20	15.5	9.5	8.5	6	60	20	M5x16	10.31	21.13	0.22	0.16	0.16	0.24	2.08		
ENH 25 SA	33	7	12.5	48	35	6.5	-	35.5	59.1	21.9	12	M6x9	8	8	8	23	18	11	9	7	60	20	M6x20	11.40	19.50	0.23	0.12	0.12	0.25	2.67		
ENH 25 CA	33	7	12.5	48	35	6.5	35	59	82.6	16.15	12	M6x9	8	8	8	23	18	11	9	7	80	20	M6x20	16.27	32.40	0.38	0.32	0.32	0.41	2.67		
ENH 30 SA	42	10	16	60	40	10	-	41.5	69.5	26.75	12	M8x12	9	8	9	28	23	14	12	9	80	20	M8x25	16.42	28.10	0.40	0.21	0.21	0.45	4.35		
ENH 30 CA	42	10	16	60	40	10	40	70.1	98.1	21.05	12	M8x12	9	8	9	28	23	14	12	9	80	20	M8x25	23.70	47.46	0.68	0.55	0.55	0.76	4.35		

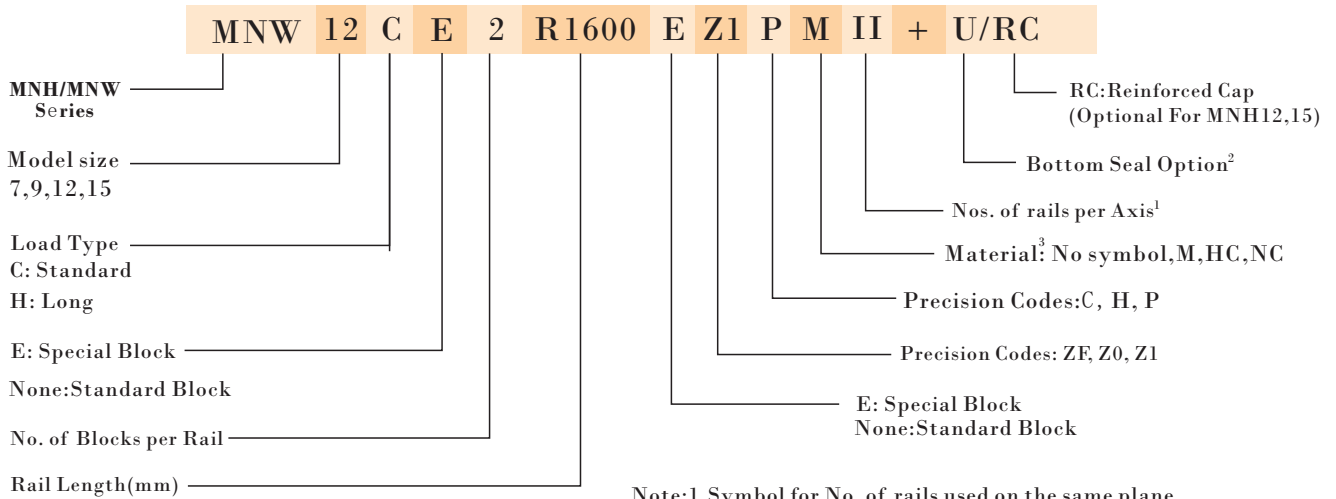
SERIES ENW-CC / ENW-SA



Model No.	Dimensions of Assembly (mm)			Dimensions of Block (mm)													Dimensions of Rail (mm)							Mounting Bolt for Rail (mm)	Basic Dynamic Load Rating C(KN)	Basic Static Load Rating C0(KN)	Static Rated Moment(kfg.m)			Weight	
	H	H1	N	W	B	B1	C	L1	L	K1	G	M	T	T1	H2	H3	WR	HR	D	h	d	P	E				M _R KN-m	M _P KN-m	M _Y KN-m	Block kg	Rail kg/m
ENW 15 SA	24	4.5	18.5	52	41	5.5	-	23.1	40.1	14.8	5.7	M5	5	7	5.5	6	15	12.5	7.5	5.3	4.5	60	20	M4x16	5.35	9.40	0.08	0.04	0.04	0.12	1.25
ENW 15 CC	24	4.5	18.5	52	41	5.5	26	39.8	56.8	10.15	5.7	M5	5	7	5.5	6	15	12.5	7.5	5.3	4.5	60	20	M4x16	7.83	16.19	0.13	0.10	0.10	0.21	1.25
ENW 20 SA	28	6	19.5	59	49	5	-	29	50	18.75	12	M6	7	9	6	6	20	15.5	9.5	8.5	6	60	20	M5x16	7.23	12.74	0.13	0.06	0.06	0.19	2.08
ENW 20 CC	28	6	19.5	59	49	5	32	48.1	69.1	12.3	12	M6	7	9	6	6	20	15.5	9.5	8.5	6	60	20	M5x16	10.31	21.13	0.22	0.16	0.16	0.32	2.08
ENW 25 SA	33	7	25	73	60	6.5	-	35.5	59.1	21.9	12	M8	7.5	10	8	8	23	18	11	9	7	60	20	M6x20	11.40	19.50	0.23	0.12	0.12	0.35	2.67
ENW 25 CC	33	7	25	73	60	6.5	35	59	82.6	16.15	12	M8	7.5	10	8	8	23	18	11	9	7	60	20	M6x20	16.27	23.40	0.38	0.32	0.32	0.59	2.67
ENW 30 SA	42	10	31	90	72	9	-	41.5	69.5	26.75	12	M10	7	10	8	9	28	23	14	12	9	80	20	M8x25	16.42	28.10	0.40	0.21	0.21	0.62	4.35
ENW 30 CC	42	10	31	90	72	9	40	70.1	98.1	21.05	12	M10	7	10	8	9	28	23	14	12	9	80	20	M8x25	23.70	47.46	0.68	0.55	0.55	1.04	4.35

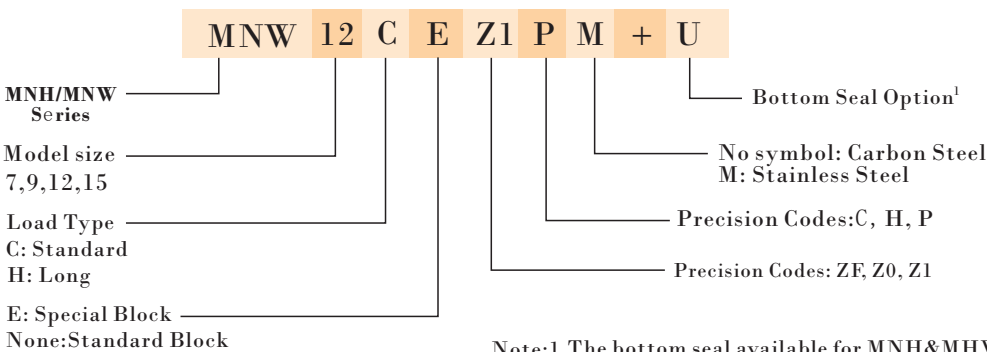
3. MN Series - Miniature Type Linear guideways

(1) Non-Interchangeable type

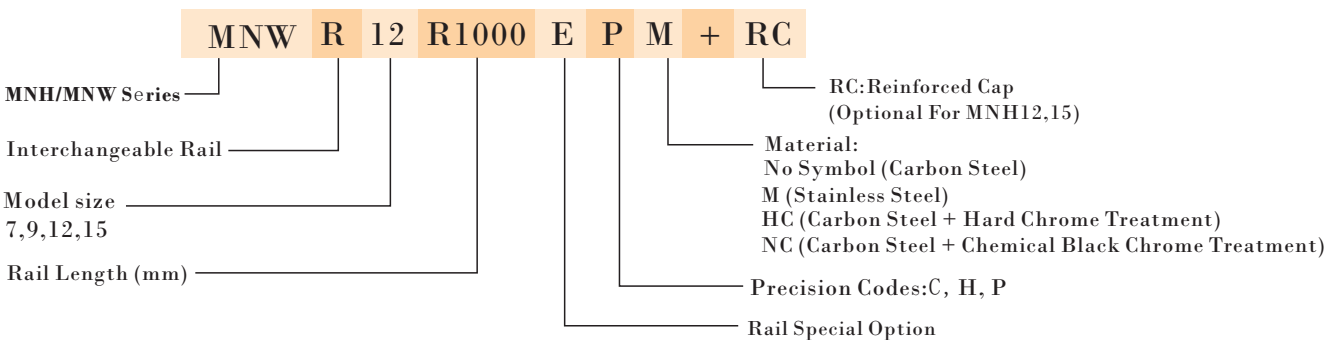


Note: 1. Symbol for No. of rails used on the same plane.
 No symbol indicates rail in a axis.
 2. The bottom seal available for MNH&MHW 9,12,15
 3. No Symbol: Carbon Steel.
 M: Stainless Steel
 HC: Carbon Steel + Hard Chrome Treatment
 NC: Carbon Steel + Chemical Black Chrome Treatment

(2) Interchangeable type

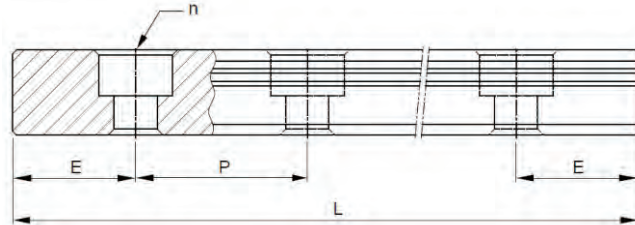


Note: 1. The bottom seal available for MNH&MHW 9,12,15



(3) Standard and Maximum Lengths of Rail

NIKO offers standard lengths of rail for instant requirements. For non-standard rail lengths, it's recommended that the E value is no greater than 1/2 of the pitch(P) to prevent instability at the end of the rail, and the E value should be no less than Emin to avoid a broken mounting hole.



$$L = (n-1) \times P + 2 \times E$$

L : Total length of rail (mm)

n : Number of mounting holes

P : Distance between any two holes (mm)

E : Distance from the center of the last hole to the edge (mm)

Items	MNHR7	MNHR9	MNHR12	MNHR15	MNWR7	MNWR9	MNWR12	MNWR15
Standard Length L(n)	40(3)	55(3)	70(3)	70(2)	80(3)	80(3)	110(3)	110(3)
	55(4)	75(4)	95(4)	110(3)	110(4)	110(4)	150(4)	150(4)
	70(5)	95(5)	120(5)	150(4)	140(5)	140(5)	190(5)	190(5)
	85(6)	115(6)	145(6)	190(5)	170(6)	170(6)	230(6)	230(6)
	100(7)	135(7)	170(7)	230(6)	200(7)	200(7)	270(7)	270(7)
	130(9)	155(8)	195(8)	270(7)	260(9)	230(8)	310(8)	310(8)
		175(9)	220(9)	310(8)		260(9)	350(9)	350(9)
		195(10)	245(10)	350(9)		290(10)	390(10)	390(10)
		275(14)	270(11)	390(10)		350(14)	430(11)	430(11)
		375(19)	320(13)	430(11)		500(19)	510(13)	510(13)
			370(15)	470(12)		710(24)	590(15)	590(15)
			470(19)	550(14)		860(29)	750(19)	750(19)
			570(23)	670(17)			910(23)	910(23)
		695(28)	870(22)			1070(27)	1070(27)	
Pitch (P)	15	20	25	40	30	30	40	40
Distance to End (Es)	5	7.5	10	15	10	10	15	15
Max. Standard Length	595(40)	1195(60)	1995(80)	1990(50)	590(20)	1970(66)	1990(50)	1990(50)
Max. Length	600	1200 ⁴	2000	2000	600 ⁵	2000	2000	2000

Note: 1. Tolerance of E value for standard rail is 0.5~-0.5 mm. Tolerance of E value for jointed rail is 0~-0.3 mm.

2. Maximum standard length indicates the max. rail length with standard E value on both sides.

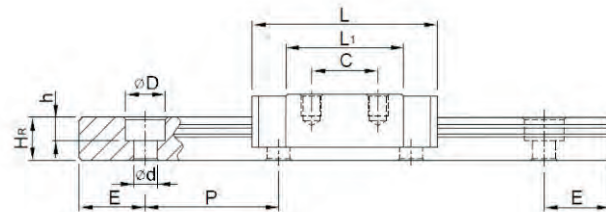
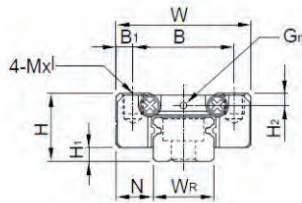
3. If smaller E value is needed, please contact **NIKO**.

4. MNHR9 of stainless steel is supplied with the maximum length of 1200mm; MNHR9 of carbon steel is supplied with the maximum length of 1000mm.

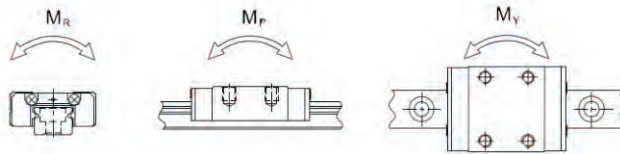
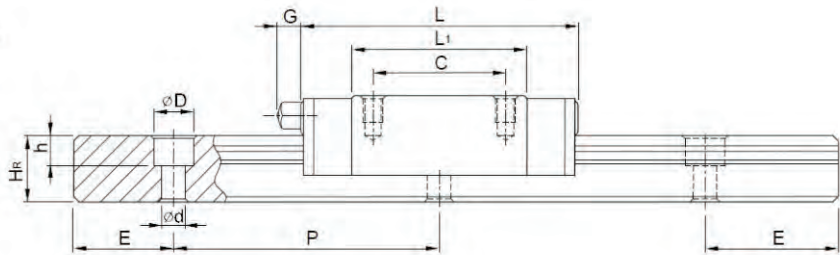
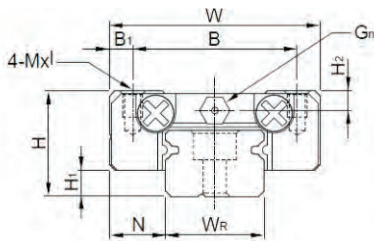
5. MNWR7 of stainless steel is supplied with the maximum length of 600mm; MNER7 of carbon steel is supplied with the maximum length of 2000mm

SERIES MNH-C / MNH-H

MNH7, MNH9, MNH12



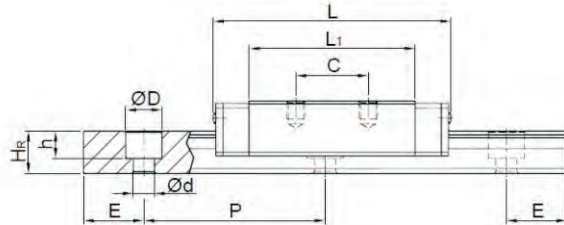
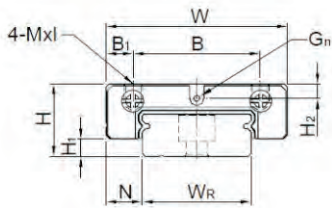
MNH15



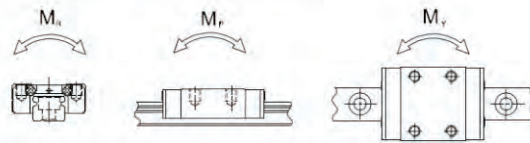
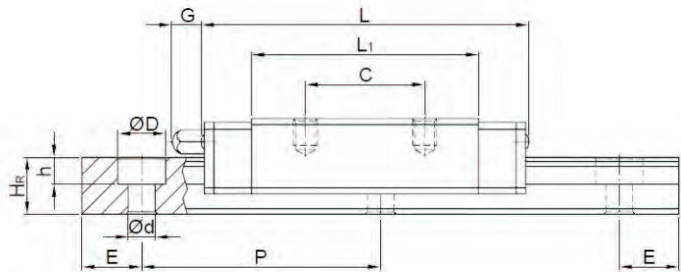
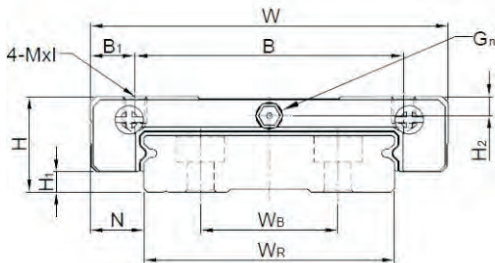
Model No.	Dimensions of Assembly (mm)			Dimensions of Block (mm)										Dimensions of Rail (mm)						Mounting Bolt for Rail (mm)	Basic Dynamic Load Rating C0(KN)	Basic Static Load Rating C00(KN)	Static Rated Moment(kgf.m)			Weight		
	H	H1	N	W	B	B1	C	L1	L	G	Gn	MxL	H2	WR	HR	D	h	d	P				E	MR	MP	MY	Block kg	Rail kg/m
MNH 7 C	8	1.5	5	17	12	2.5	8	13.5	22.5	-	Φ1.2	M2x2.5	1.5	7	4.8	4.2	2.3	2.4	15	5	M2x6	0.98	1.24	4.70	2.84	2.84	0.010	0.22
MNH 7 H	8	1.5	5	17	12	2.5	13	21.8	30.8	-	Φ1.2	M2x2.5	1.5	7	4.8	4.2	2.3	2.4	15	5	M2x6	1.37	1.96	7.64	4.80	4.80	0.015	0.22
MNH 9 C	10	2	5.5	20	15	2.5	10	18.9	28.9	-	Φ1.4	M3x3	1.8	9	6.5	6	3.5	3.5	20	7.5	M3x8	1.86	2.55	11.76	7.35	7.35	0.016	0.38
MNH 9 H	10	2	5.5	20	15	2.5	16	29.9	39.9	-	Φ1.4	M3x3	1.8	9	6.5	6	3.5	3.5	20	7.5	M3x8	2.55	4.02	19.60	18.62	18.62	0.026	0.38
MNH 12 C	13	3	7.5	27	20	3.5	15	31.7	34.7	-	Φ2	M3x3.5	2.5	12	8	6	4.5	3.5	25	10	M3x8	2.84	3.92	25.48	13.72	13.72	0.034	0.65
MNH 12 H	13	3	7.5	27	20	3.5	20	32.4	45.4	-	Φ2	M3x3.5	2.5	12	8	6	4.5	3.5	25	10	M3x8	3.72	5.88	38.22	36.26	36.26	0.054	0.65
MNH 15 C	16	4	8.5	32	25	3.5	20	26.7	42.1	4.5	M3	M3x4	3	15	10	6	4.5	3.5	40	15	M3x10	4.61	5.59	45.08	21.56	21.56	0.059	1.06
MNH 15 H	16	4	8.5	32	25	3.5	25	43.4	58.8	4.5	M3	M3x4	3	15	10	6	4.5	3.5	40	15	M3x10	6.37	9.11	73.50	57.82	57.82	0.092	1.06

SERIES MNW-C / MNW-H

MNW7, MNW9, MNW12



MNW15



Model No.	Dimensions of Assembly (mm)			Dimensions of Block (mm)										Dimensions of Rail (mm)										Mounting Bolt for Rail (mm)	Basic Dynamic Load Rating C(KN)	Basic Static Load Rating Co(KN)	Static Rated Moment(kgf.m)			Weight	
	H	H1	N	W	B	B1	C	L1	L	G	Gn	MxL	H2	WR	WB	HR	D	h	d	P	E	MR	MP				MY	Block kg	Rail kg/m		
MNW 7 C	9	1.9	5.5	25	19	3	10	21	31.2	-	Φ1.2	M3x3	1.85	14	-	5.2	6	3.2	3.5	30	10	M3x6	1.37	2.06	15.70	7.14	7.14	0.020	0.51		
MNW 7 H	9	1.9	5.5	25	19	3	19	30.8	41	-	Φ1.2	M3x3	1.85	14	-	5.2	6	3.2	3.5	30	10	M3x6	1.77	3.14	23.45	15.53	15.53	0.029	0.51		
MNW 9 C	12	2.9	6	30	21	4.5	12	27.5	39.3	-	Φ1.2	M3x3	2.4	18	-	7	6	4.5	3.5	30	10	M3x8	2.75	4.12	40.12	18.96	18.96	0.040	0.91		
MNW 9 H	12	2.9	6	30	23	3.5	24	38.5	50.7	-	Φ1.2	M3x3	2.4	18	-	7	6	4.5	3.5	30	10	M3x8	3.43	5.89	54.54	34.00	34.00	0.057	0.91		
MNW 12 C	14	3.4	8	40	28	6	15	31.3	46.1	-	Φ1.2	M3x3.6	2.8	24	-	8.5	8	4.5	4.5	40	15	M4x8	3.92	5.59	70.34	27.80	27.80	0.071	1.49		
MNW 12 H	14	3.4	8	40	28	6	28	45.6	60.4	-	Φ1.2	M3x3.6	2.8	24	-	8.5	8	4.5	4.5	40	15	M4x8	5.10	8.24	102.70	57.37	57.37	0.103	1.49		
MNW 15 C	16	3.4	9	60	45	7.5	20	38	54.8	5.2	M3	M4x4.2	3.2	42	23	9.5	8	4.5	4.5	40	15	M4x10	6.77	9.22	199.34	56.66	56.66	0.143	2.86		
MNW 15 H	16	3.4	9	60	45	7.5	35	57	73.8	5.2	M3	M4x4.2	3.2	42	23	9.5	8	4.5	4.5	40	15	M4x10	8.93	13.38	299.01	122.60	122.60	0.215	2.86		

Type Comparison Table For The Linear Guide

Type	NIKO	HIWIN	THK	PMI	TBI	ABBA	STAF	CPC
HNH Series	HNH15CA	HGH15CA	HSR15R	MSA15S	TRH15VL	BRC15RO	BGXH15BN	HRC15MN
	HNH20CA	HGH20CA	HSR20R	MSA20S	TRH20VL	BRC20RO	BGXH25BN	HRC20MN
	HNH20HA	HGH20HA	HSR20LR	MSA20LS	TRH20VE	BRC20LR	BGXH20BL	HRC20ML
	HNH25CA	HGH25CA	HSR25R	MSA25S	TRH25VN	BRC25RO	BGXH25BN	HRC25MN
	HNH25HA	HGH25HA	HSR25LR	MSA25LS	TRH25VE	BRC25LR	BGXH25BL	HRC25ML
	HNH30CA	HGH30CA	HSR30R	MSA30S	TRH30VN	BRC30RO	BGXH30BN	HRC30MN
	HNH30HA	HGH30HA	HSR30LR	MSA30LS	TRH30VE	BRC30LR	BGXH30BL	HRC30ML
	HNH35CA	HGH35CA	HSR35R	MSA35S	TRH35VN	BRC35RO	BGXH35BN	HRC35MN
	HNH35HA	HGH35HA	HSR45LR	MSA35LS	TRH35VE	BRC35LR	BGXH35BL	HRC35ML
	HNH45CA	HGH45CA	HSR45SR	MSA45S	TRH45VN	BRC45RO	BGXH45BN	HRC45MN
	HNH45HA	HGH45HA	HSR45LR	MSA45LS	TRH45VE	BRC45LR	BGXH45BL	HRC45ML
HNW Series	HNW15CA/B/C	HGW15CA/B/C	/	MSA15E/A	TRH15FN	BRC15AO	BGXH15FN	HRC15FN
	HNW20CA/B/C	HGW20CA/B/C	HSR20CA/B	MSA20E/A	TRH20FN	BRC20AO	BGXH20FN	HRC20FN
	HNW20HA/B/C	HGW20HA/B/C	HSR20HA/HB	MSA20LE/LA	TRH20FE	BRC20LA	BGXH20FL	HRC20FL
	HNW25CA/B/C	HGW25CA/B/C	HSR25CA/B	MSA25E/A	TRH25FN	BRC25AO	BGXH25FN	HRC25FN
	HNW25HA/B/C	HGW25HA/B/C	HSR25HA/HB	MSA25LE/LA	TRH25FE	BRC25LA	BGXH25FL	HRC25FL
	HNW30CA/B/C	HGW30CA/B/C	HSR30CA/B	MSA30E/A	TRH30FN	BRC30AO	BGXH30FN	HRC30FN
	HNW30HA/B/C	HGW30HA/B/C	HSR30HA/HB	MSA30LE/LA	TRH30FE	BRC30LA	BGXH30FL	HRC30FL
	HNW35CA/B/C	HGW35CA/B/C	HSR35CA/B	MSA35E/A	TRH35FN	BRC35AO	BGXH35FN	HRC35FN
	HNW45CA/B/C	HGW45CA/B/C	HSR45CA/B	MSA45E/A	TRH45FN	BRC45AO	BGXH45FN	HRC45FN
ENH Series	ENH15SA/CA	EGH15SA/CA	SSR15WY/WMY,SR15W/WM	MSB15S	TRS15VN	BRC15UO	BGXS15BN	ARC15MN
	ENH20SA/CA	EGH20SA/CA	SSR20WY/WMY,SR20W/WM	MSB10S	TRS20VN	BRC20UO	BGXS20BN	ARC20MN
	ENH25SA/CA	EGH25SA/CA	SSR25WY/WMY,SR25W/WM	MSB25S	TRS25VN	BRC25UO	BGXS25BN	ARC25MN
	ENH30CA	EGH30SA/CA	SSR30WY/WMY,SR30W/WM	MSB30S	TRS30VN	BRC30UO	BGXS30BN	ARC30MN
ENW Series	ENW15SC/CC	EGW15SA/B EGW15CA/B	SR15TB/TBM	MSB15E	TRS15FN	/	BGXS15FN	ARC15FN
	ENW20SC/CC	EGW20SA/B EGW20CA/B	SR20TB/TBM	MSB20E	TRS20FN	/	BGXS20FN	ARC20FN
	ENW25SC/CC	EGW25SA/B EGW25CA/B	SR25TB/TBM	MSB25E	TRS25FN	/	BGXS25FN	ARC25FN
	ENW30SC/CC	EGW30SA/B EGW30CA/B	SR30TB/TBM	MSB30E	TRS30FN	/	BGXS30FN	ARC30FN

→ **Note**

Dotted lines for note content.



SINCE 2002



Precision Linear guideways





PRECISION LINEAR GUIDEWAYS

WWW.NIPPONKODOBEARINGS.CO.JP

